



DOOR COMPANY

EFD-SSBE

The FRANK DOOR Electric Single Swing Door is used for personnel and hand truck traffic in buildings where environmental control is necessary. Suitable for coolers. Available as sweep bottom or high sill (for sloped or uneven floors). Especially useful in clean rooms or similar applications where push button power activated opening is useful.

Standard Features

Finish

- 24 gauge metal
- 040 embossed aluminum

No Wood Construction

Insulation

- Foamed in place polyurethane
- R value 8 per inch

Panel Mounted Magnetic Gasket

3 Hinges per Door

“Bullet Hinge”

- Edge-mounted sanitary design
- Non-corrosive powder coated zinc
- Cam lift, adjustable in three axes
- No stress points
- Tamper resistant

Power Operator

- 230v/1/60Hz
- Integrated precision
- Stainless steel enclosure

Insulated Extruded Aluminum Casing Frame

- Available in white or anodized gray
- Sweep bottom or high sill application
- Eliminates potential for swelling, warping or bacterial contamination

Wall Mounted Push Button Switch

Exterior Pull Handle

- Stainless steel and fiber-reinforced nylon



Options

Extruded Aluminum Back-Up Header and Casings

Other Finishes Available

Jamb Caps

Kickplate

Motion Detector

Photo Electric Sensor

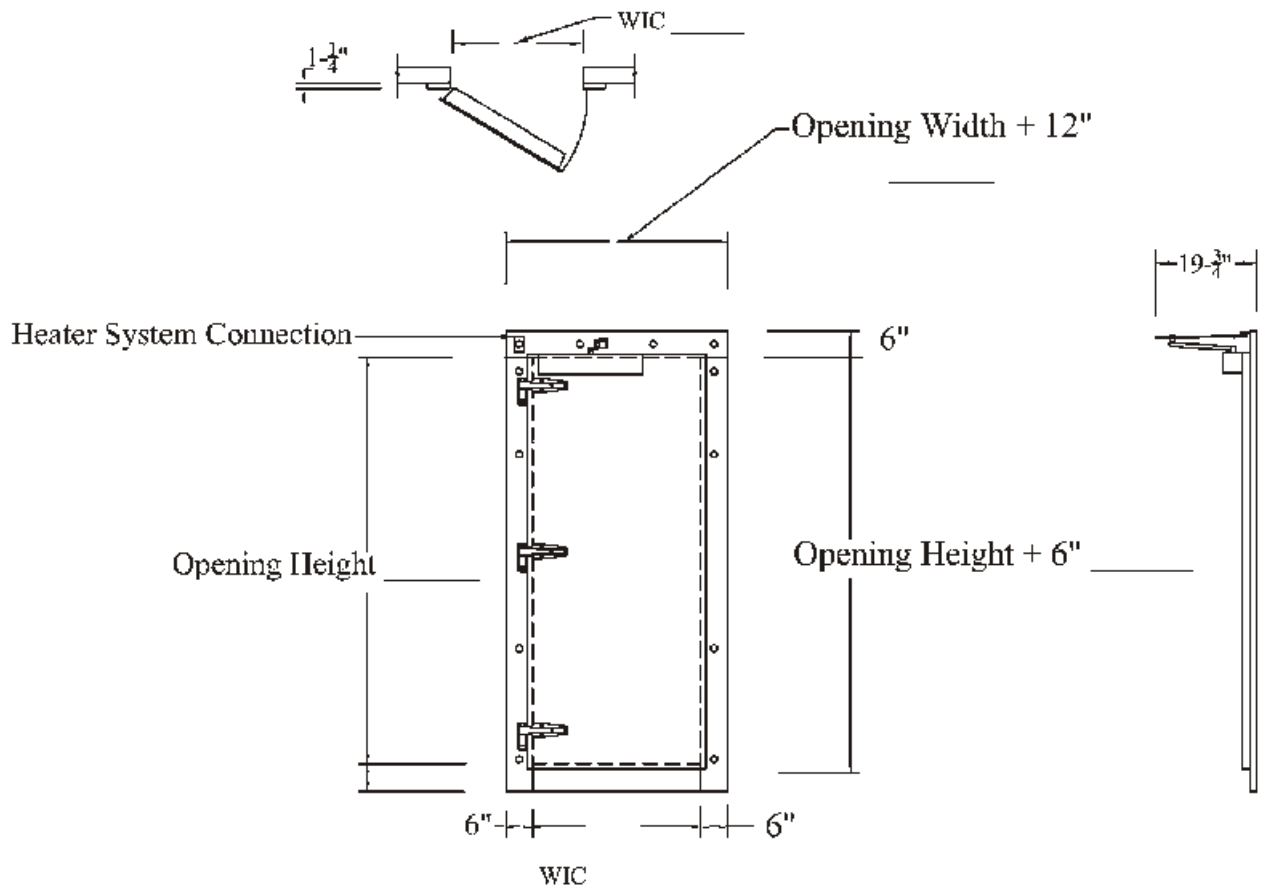
Pull Switches (2)

Remote Control

Return Jamb

View Window

# ELECTRIC SINGLE SWING DOOR



**DISCLAIMER:** As we are always striving to improve our products, FRANK DOOR Company reserves the right to alter specifications and design without incurring obligation.

America's "New Standard" for Cold Storage Doors