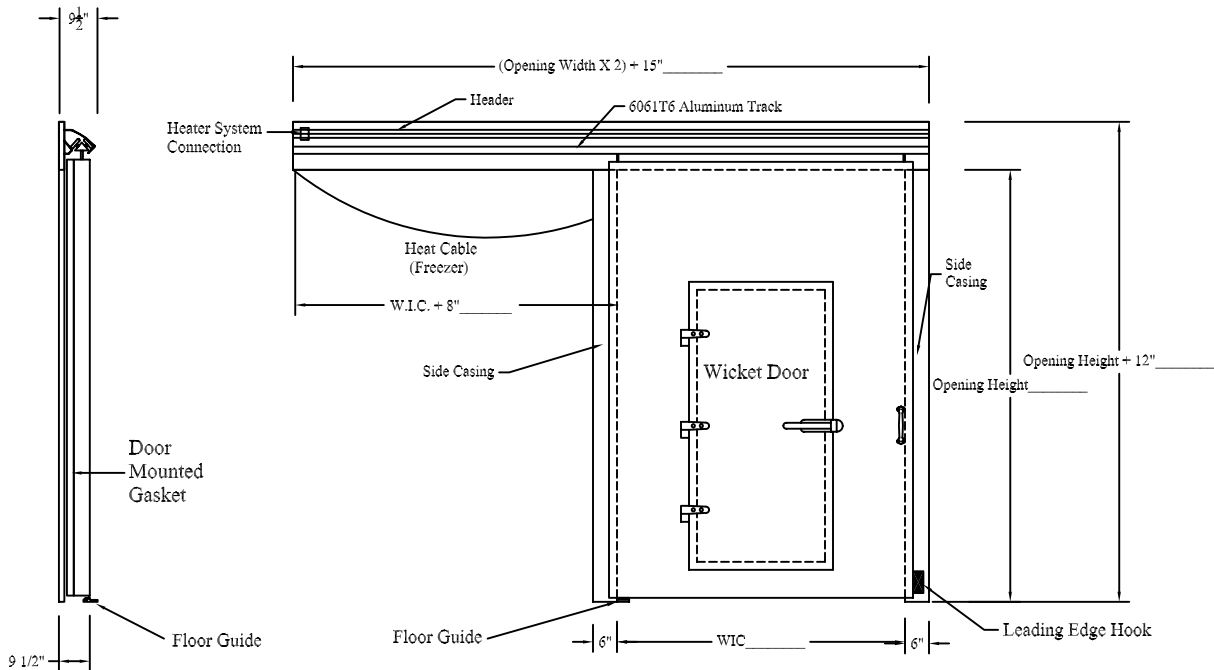




Job Number _____
 Job Name _____
 Date ____/____/____
 Quantity _____
 Signature _____
 On Site Date _____

Manual Droptrac Single Slide Left With Wicket Door



NET OPENING: Width _____ Height _____

FEATURES:

Cooler _____ Freezer _____
 Temperature: Inside _____ °F
 Outside _____ °F
 Door Panel Thickness: 4" _____ 6" _____

FINISH:

Exterior:
 Smooth: Galv _____ White _____ SS _____
 Stucco: Galvalume _____ White _____ Alum _____
 Other: _____
Interior:
 Smooth: Galv _____ White _____ SS _____
 Stucco: Galvalume _____ White _____ Alum _____
 Other: _____

SPECIAL NOTES/INSTRUCTIONS: _____

SPECIAL OPTIONS:

Backup Header & Casings _____
 Return Jamb _____ Jamb Caps _____
 Wall Thickness _____
 Locking Device w/ Safety Release _____
 Wall Guide System _____
 Kick Plates:
 Exterior: Alum _____ SS _____
 Interior: Alum _____ SS _____

WICKET DOOR:

 Right Hinge _____ Left Hinge _____

Hardware:

Hinges() _____
 Latch/Strike _____ Cyl. Lock _____
 Inside Release _____ Closer _____
 Panic Hardware _____
 Kick Plates:
 Exterior: Alum _____ SS _____
 Interior: Alum _____ SS _____
 View Window:
 Non-Heated _____ Heated _____
 14 X 14 _____ 14 X 24 _____