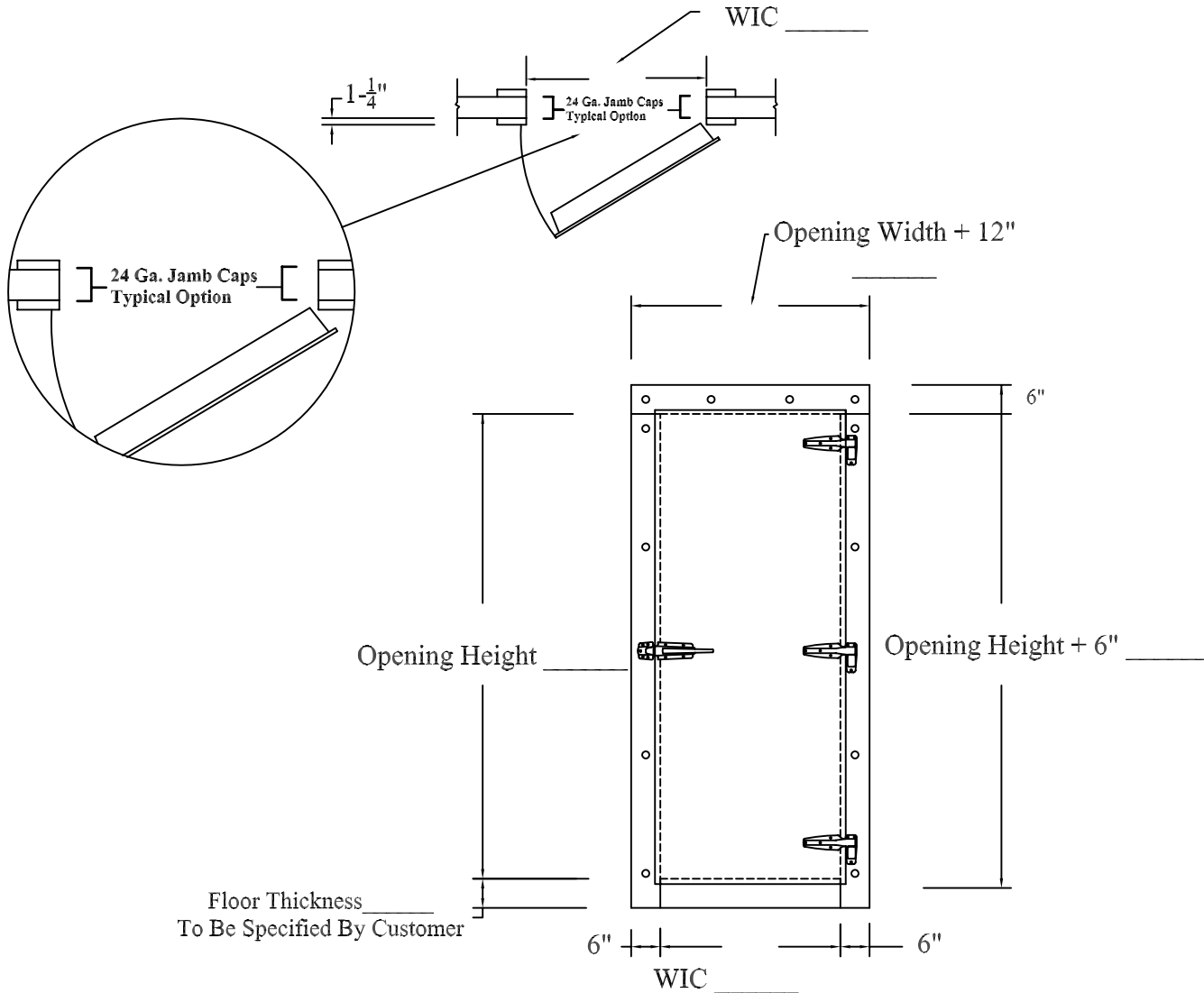




Job Number \_\_\_\_\_  
 Job Name \_\_\_\_\_  
 Date \_\_\_\_/\_\_\_\_/\_\_\_\_  
 Quantity \_\_\_\_\_  
 Serial Number \_\_\_\_\_

## Right Hinge Extruded Aluminum Casing Frame

With High Sill; 3 Sided Jamb Caps, & Backup Casing



NET OPENING: Width \_\_\_\_\_ Height \_\_\_\_\_

**FEATURES:**

Cooler \_\_\_\_\_ Freezer \_\_\_\_\_\*  
 Temperature \_\_\_\_\_°F  
 Standard Gasket \_\_\_\_\_  
 \*Heat Cable: (4) Sided in Frame

**FINISH:**

**Exterior:**

Smooth: Galv \_\_\_\_\_ White \_\_\_\_\_ SS \_\_\_\_\_

**Stucco:**

Galvalume \_\_\_\_\_ White \_\_\_\_\_ Alum \_\_\_\_\_

Other: \_\_\_\_\_

**Interior:**

Smooth: Galv \_\_\_\_\_ White \_\_\_\_\_ SS \_\_\_\_\_

**Stucco:**

Galvalume \_\_\_\_\_ White \_\_\_\_\_ Alum \_\_\_\_\_

Other: \_\_\_\_\_

**HARDWARE:**

Hinges ( ) \_\_\_\_\_  
 Latch/Strike \_\_\_\_\_ Cyl. Lock \_\_\_\_\_  
 Inside Release \_\_\_\_\_ Closer \_\_\_\_\_  
 Panic Hardware \_\_\_\_\_

**SPECIAL OPTIONS:**

Backup Header & Casings \_\_\_\_\_  
 Jamb Caps 24 Ga. Steel Std. \_\_\_\_\_  
 18 Ga. Stainless \_\_\_\_\_

Wall Thickness \_\_\_\_\_\*\*

**Kick Plates:**

Exterior: Alum \_\_\_\_\_ SS \_\_\_\_\_

Interior: Alum \_\_\_\_\_ SS \_\_\_\_\_

**View Window:**

Non-Heated \_\_\_\_\_ Heated \_\_\_\_\_

14 X 14 \_\_\_\_\_ 14 X 24 \_\_\_\_\_

SPECIAL NOTES/INSTRUCTIONS: \_\_\_\_\_