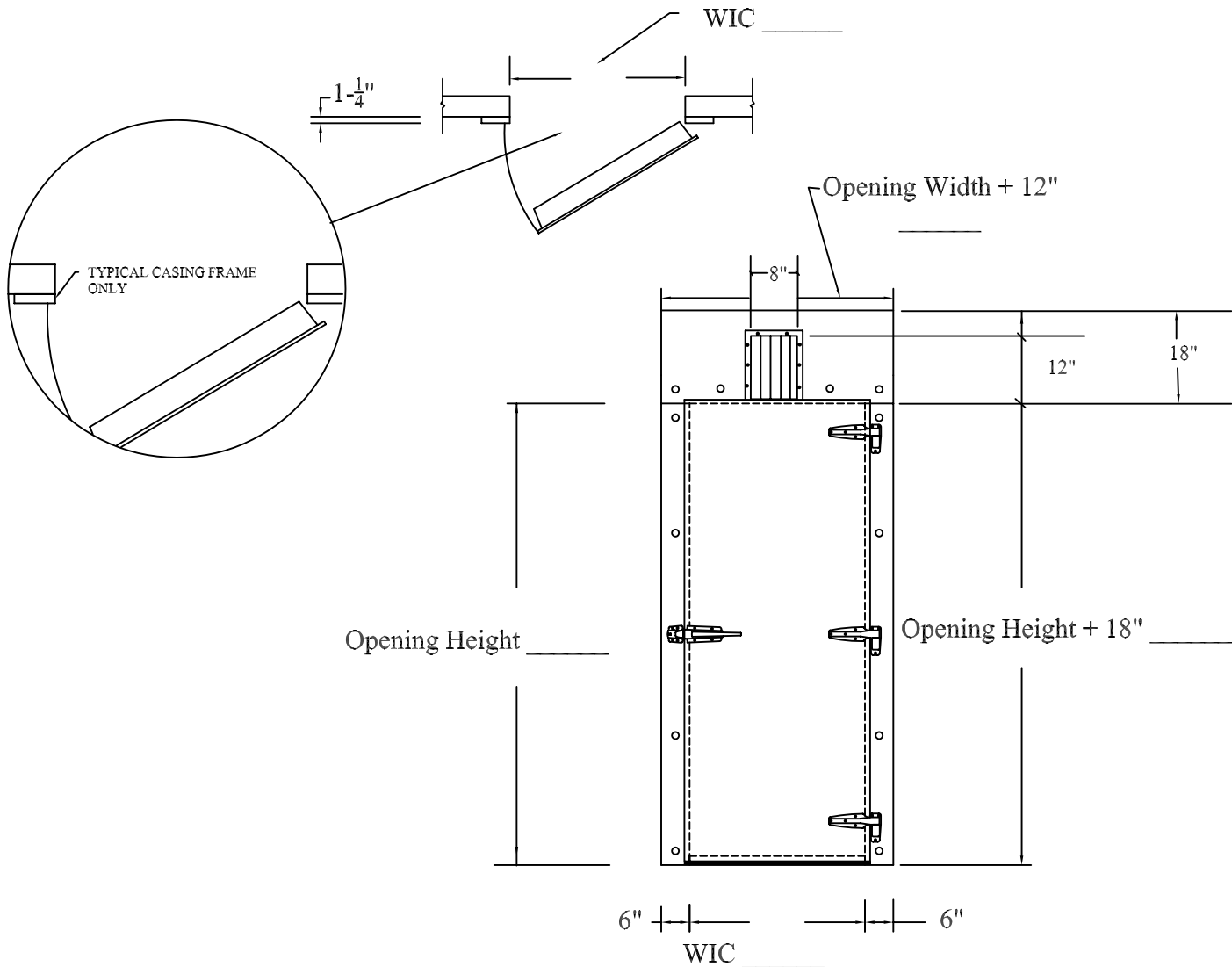




Job Number \_\_\_\_\_  
 Job Name \_\_\_\_\_  
 Date \_\_\_\_/\_\_\_\_/\_\_\_\_  
 Quantity \_\_\_\_\_  
 Serial Number \_\_\_\_\_

## Right Hinge Extruded Aluminum Trackport Casing Frame

With Sweep Bottom



NET OPENING: Width \_\_\_\_\_ Height \_\_\_\_\_

**FEATURES:**

Cooler \_\_\_\_\_ Freezer \_\_\_\_\_  
 Temperature \_\_\_\_\_ °F  
 Standard Gasket \_\_\_\_\_  
 Heat Cable: (4) Sided \_\_\_\_\_

**FINISH:**

**Exterior:**

Smooth: Galv \_\_\_\_\_ White \_\_\_\_\_ SS \_\_\_\_\_

**Stucco:**

Galvalume \_\_\_\_\_ White \_\_\_\_\_ Alum \_\_\_\_\_

Other: \_\_\_\_\_

**Interior:**

Smooth: Galv \_\_\_\_\_ White \_\_\_\_\_ SS \_\_\_\_\_

**Stucco:**

Galvalume \_\_\_\_\_ White \_\_\_\_\_ Alum \_\_\_\_\_

Other: \_\_\_\_\_

**HARDWARE:**

Hinges ( ) \_\_\_\_\_  
 Latch/Strike \_\_\_\_\_ Cyl. Lock \_\_\_\_\_  
 Inside Release \_\_\_\_\_ Closer \_\_\_\_\_  
 Panic Hardware \_\_\_\_\_

**SPECIAL OPTIONS:**

Backup Header & Casings \_\_\_\_\_  
 Return Jamb \_\_\_\_\_ Wall Thickness \_\_\_\_\_  
 Kick Plates:  
 Exterior: Alum \_\_\_\_\_ Galv \_\_\_\_\_ SS \_\_\_\_\_  
 Interior: Alum \_\_\_\_\_ Galv \_\_\_\_\_ SS \_\_\_\_\_

**View Window:**

Non-Heated \_\_\_\_\_ Heated \_\_\_\_\_  
 14 X 14 \_\_\_\_\_ 14 X 24 \_\_\_\_\_

SPECIAL NOTES/INSTRUCTIONS: \_\_\_\_\_  
 \_\_\_\_\_  
 \_\_\_\_\_